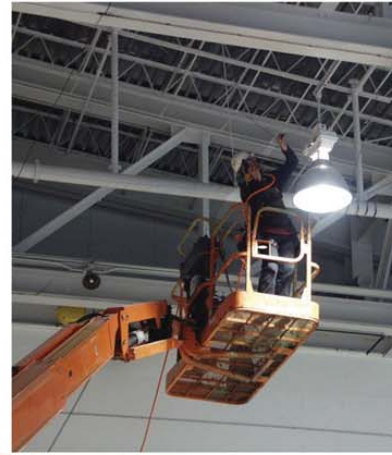




Bird-X Installer Catalog



Bird Netting
Netting Hardware
Stainless Steel Bird Spikes
Bird Shock Track
Bird Wire
Other Bird Repellent Products



Celebrating **50** Years!
YEARS
1964-2014

3 About Bird-X

4 Bird Netting

Exclusion netting prevents pest birds from entering specific areas – when installed properly, it is 100% effective.

5 Netting Hardware

Commercial-grade hardware needed to install Bird-X BirdNet – cables, screws, nuts, brackets, turnbuckles, ferrules, and more.

7 Stainless Steel Bird Spikes

Bird spikes protect surfaces from pest bird infestation. Available in multiple lengths and widths.

8 Bird Shock Track, Hardware & Chargers

Shock track gives a mild electric shock when touched, conditioning birds to stay away from treated surfaces.

10 Bird Wire & Post Products

Bird Wire is great for high-profile ledges where a less visible solution is needed; wires are installed at differing heights making it difficult for birds to land.

11 Other Bird Repellent Products

Bird Proof Gel and liquids, taste aversions, visual scares, predator decoys, and more.

About Bird-X

Bird-X is the leading brand of humane pest and bird control solutions worldwide, protecting human health, wildlife and the environment in which we all live.

Established in 1964, the Chicago-based company manufactures a complete line of unique pest control products with an unmatched focus on quality, efficacy and customer service.



Humane & Eco-friendly Solutions
Experienced Sales Consultants
Unmatched Quality
Worldwide Distribution
Outstanding Customer Service

Ask about becoming a Preferred Bird-X Installer!



USA Headquarters
(+1) 312.226.2473
solutions@bird-x.com

UK & Ireland
+44 (0) 1903 715 631
sales@bird-x.co.uk

European Office
+31 (0) 548 659 016
europe@birdx.eu

Bird Netting

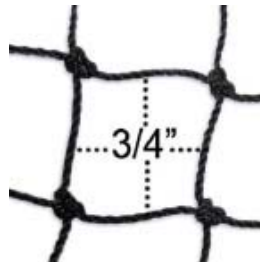
Bird Netting creates a physical barrier to prevent pest birds from entering specific areas. When installed properly, netting is 100% effective, making it ideal for zero-tolerance zones. It can be used to block pest bird access in many applications.

PE-Plus Premium Grade BirdNet

This 3/4" polyethylene netting is a permanent solution, ideal for commercial projects. The material is light-weight, pliable, maintenance-free, and durable – lasts up to 10 years!

3/4" Black Polyethylene Knotted Net

- 25'x25'.....625 sq. ft....[NET-PE-25-25](#)
- 25'x50'....1,250 sq. ft....[NET-PE-25-50](#)
- 50'x50'....2,500 sq. ft....[NET-PE-50-50](#)
- 50'x100'..5,000 sq. ft....[NET-PE-50-100](#)



2" Black Polyethylene Knotted Net

- 25'x25'.....625 sq. ft....[NET-PE-25-25-2](#)
- 25'x50'....1,250 sq. ft....[NET-PE-25-50-2](#)
- 50'x50'....2,500 sq. ft....[NET-PE-50-50-2](#)
- 50'x100'..5,000 sq. ft....[NET-PE-50-100-2](#)

3/4" Stone Polyethylene Knotted Net

- 25'x25'.....625 sq. ft....[NET-PE-25-25-STONE](#)
- 25'x50'....1,250 sq. ft....[NET-PE-25-50-STONE](#)
- 50'x50'....2,500 sq. ft....[NET-PE-50-50-STONE](#)
- 50'x100'..5,000 sq. ft....[NET-PE-50-100-STONE](#)



1-1/8" Black Polyethylene Knotted Net

- 25'x25'.....625 sq. ft....[NET-PE-25-25-1-1/8](#)
- 25'x50'....1,250 sq. ft....[NET-PE-25-50-1-1/8](#)
- 50'x50'....2,500 sq. ft....[NET-PE-50-50-1-1/8](#)
- 50'x100'..5,000 sq. ft....[NET-PE-50-100-1-1/8](#)

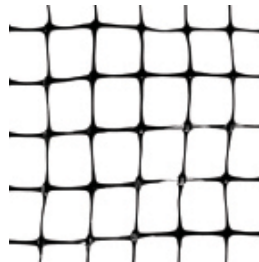
Structural Heavy-Duty BirdNet

This 1/2" polypropylene netting is perfect for small businesses, homeowners, farmers and gardeners. It is tough, plastic netting that is light-weight, pliable, and resistant to elemental damage – lasts up to 5 years!

**Bird-X can provide netting lengths up to 5,000 feet!*

1/2" Black Polypropylene Net

- 100'x14'...1,400 sq. ft....[NET-STR-100](#)
- 200'x14'...2,800 sq. ft....[NET-STR-200](#)



Standard BirdNet

This 3/4" standard mesh netting is a great economical solution for homeowners and gardeners. It is light-weight, pliable and weatherproof.

**Bird-X can provide netting lengths up to 5,000 feet!*

3/4" Black Polypropylene Net

- 100'x14'...1,400 sq. ft....[NET-STD-100-14](#)
- 200'x14'...2,800 sq. ft....[NET-STD-200-14](#)



Each job is different and demands some on-site ingenuity. It can be very difficult to install properly if each step isn't carefully thought out. Double-check your measurements before cutting the net and be sure you have all materials necessary to complete the job before beginning.

***Call your account manager with any questions.**

Netting Hardware



Corner/Primary Attachments:

Corner/Primary attachments are under the most pressure and must be the strongest component in the system; be sure all attachments are firmly anchored. Be sure to install attachments every 45-50 feet for large jobs.

Wood: use galvanized/stainless

Concrete: use expanding net bolts

Steel: use eye bolts and nuts

Intermediate Attachments:

These hold the cable tight against the structure to prevent bowing (giving birds room to enter/exit the area of coverage). Intermediate attachments should be installed every 20-25 feet. Smaller birds (such as sparrows and swallows) require intermediate attachments every 2 feet. These can be used for wood or concrete frames.

Stringing Wire/Cable & Ferrules:

The perimeter cable frames the entire area to be sectioned off by the netting. Ferrules secure the cables where they attach to the corner attachments. Slide the ferrules onto the cable before you form your connecting loop and secure it to the cable with the ratchet tool. Be sure there are at least two ferrules per loop to ensure strength and durability of the perimeter cable.

Turnbuckles:

Turnbuckles also must be well anchored as they are subject to a great deal of tension between the cable and the corner attachments – be sure your components are well secured. When installing, make sure the turnbuckles are all the way open. Pull the cable as tight as possible through the turnbuckle. Before tightening, be sure all slack in the cable is removed, taking up as much tension as possible and fasten with a screwdriver, etc. Be sure not to pull out any fasteners or eyehooks when tightening.



Mounting Cable

Stainless Steel

500' Spool – 3/32", 49 Strand Cable
Cable, 7x7, 3/32" (2mm) diameter with 920 lb. tensile.

MTG-CABLE-SS



Eyebolt Screw

For wood or thick sheet metal surfaces.

Stainless Steel (10 pack)

Corner/end attachment. 17/32" I.D., 1" lag thread.

MTG-SCREW-MD-SS



Eyebolt w/Nut

Corner/end attachment for an I-beam or other thick metal.

Stainless Steel (10 pack)

MTG-BOLT-MD-SS



Net Concrete Spikes

This hammer-in attachment is the strongest attachment for stone, concrete or solid brick. It does not require a plastic anchor sleeve; the bent shaft holds it securely in place. Zinc coated.

Stainless Steel Net Spikes, Small (100 pack)

MTG-SPIKES-SS



Eyebolt Anchor

Corner/end attachment. M6 high load bearing expansion bolt anchor. For most masonry, stone, or concrete. This M6 netbolt needs a 14mm drill bit.

Stainless Steel (10 pack)

MTG-NETBOLT-MD-SS

Netting Hardware Continued

Multi-Purpose Cable Bracket

1.25" bracket is used as an end or intermediate bracket and installed as either a permanent fixture or as a quick-release cable holder.

Stainless Steel (100 pack)

MTG-BRACKET-SS



Heavy Duty Steel Clamp. 3/32"

This clamp defines the term "heavy duty". Your best bet for larger net installation, this clamp can hold up to 630 pounds of tensioned weight. Bolt to an I-beam or other steel structure and run your cable inside the jaws. Opens up to 2".

Stainless Steel Clamp (4 pack)

MTG-CLAMP-SS



Girder Clip

This strong, hammer-on clip allows you to attach cable to hard-to-drill steel beams. Hammer the clip into the edge of an I-beam with the cable running through the jaws (not through the hole), and your cable is secure.

1/8"-1/4" (100 pack)

MTG-GIRD-1

5/16"-1/2" (100 pack)

MTG-GIRD-2

9/16"-3/4" (100 pack)

MTG-GIRD-4



Turnbuckles

Hook-and-eye turnbuckles for tensioning Net Cable.

Stainless Steel Turnbuckles (10 pack)

Medium, 1/4" x 3-1/2"

**Call for other size options*

MTG-TURN-MD-SS



Ferrules, 2.5MM

Double Sleeve Zinc/Copper Ferrules. For connecting short cable runs (3/32"). Ratchet Crimper required. Two (2) ferrules per cable connection.

Copper (100 pack)

MTG-FERR-C



Net Ring Tool

Hand operated, auto-feed ring tool. Installs net rings around net, cable, zippers, etc.

MTG-RING-TOOL



Net Rings

Net rings secure seams and fasten the netting to the cable, zippers, etc. Ring Tool required.

Stainless Steel (2,500 pack)

MTG-RINGS-SS



Net Access Clip

Connect pieces of netting together securely with stainless steel clips.

3/4" Stainless Steel (100 pack)

MTG-ACCESS-CLIP

2" Stainless Steel (100 pack)

MTG-ACCESS-CLIP2



Net Zipper

UV resistant black zipper. Fasten to netting with net rings and ring tool.

1' Black, 5MM

MTG-ZIPPER-1

3' Black, 5MM

MTG-ZIPPER3

6' Black, 5MM

MTG-ZIPPER



Net Ratchet Crimp Tool

Hand operated, ratcheting crimper for ferrules.

MTG-RATCHET



BirdNet Plastic Clips

Perimeter fastening. Close over rolled edges of netting for a secure hold. For all types of bird netting.

Poly Clips (250 pack)

MTG-CASE



Stainless Steel Bird Spikes

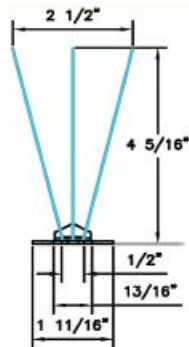
Bird-X Stainless Steel Bird Spikes are used on structures worldwide to keep pest birds from roosting and nesting on building surfaces. The spikes are not harmful – just extremely irritating, intimidating, and uninviting.

Stainless Steel Bird Spikes are the industry standard on public and private RFPs. They won't corrode or decay and the flexible base allows for installation on curved surfaces.

Various sizes available. CAD files and documented specifications available upon request.

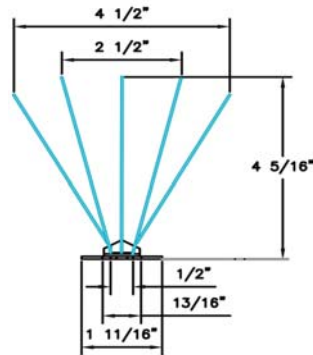
Narrow Bird Spikes 2.5"

- Top width: 2.5"**
- Base width: 0.5"**
- Highest point: 4.3"**
- 10 ft.....**SLS-10**
- 24 ft.....**SLS-24**
- 50 ft.....**SLS-50**
- 100 ft.....**SLS-100**



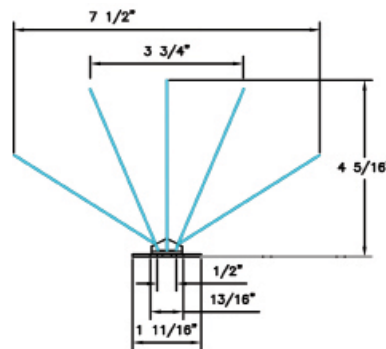
Regular Bird Spikes 4.5"

- Top width: 4.5"**
- Base width: 0.5"**
- Highest point: 4.3"**
- 10 ft.....**STS-10**
- 24 ft.....**STS-24**
- 50 ft.....**STS-50**
- 100 ft.....**STS-100**



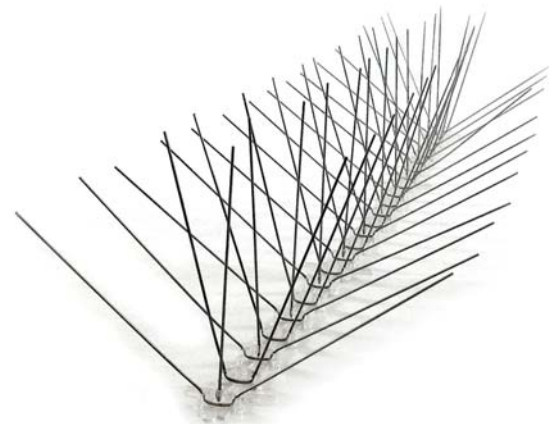
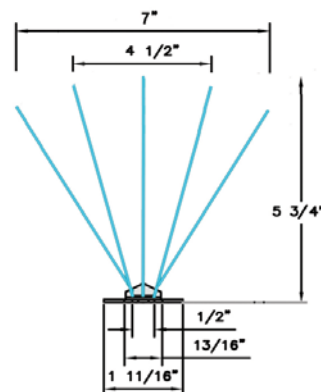
Extra Wide Bird Spikes 7.5"

- Top width: 7.5"**
- Base width: 0.5"**
- Highest point: 4.3"**
- 10 ft.....**EWS-10**
- 24 ft.....**EWS-24**
- 50 ft.....**EWS-50**
- 100 ft.....**EWS-100**



Extra Tall Bird Spikes 7"

- Top width: 7"**
- Base width: 0.5"**
- Highest point: 5.75"**
- 98 ft.....**ETS-98**



Special Adhesive

Designed for installing Bird-X Bird Spikes. One (1) tube adheres 15-20 feet of spikes. *Weatherproof; works on a wide range of material.*

10.5 oz. tube
SSA



Bird Shock Track & Hardware

Avishock™ Bird Shock Track is flexible and adaptable, almost invisible, extremely long-lasting, and humane. It was created with easier and safer installation in mind, featuring snap connectors and longer rolls, no sharp parts to reduce risk of injury, and with a flatter base to help reduce the use of glue. Condition birds to stay away with low-profile electrified track that conforms to any architectural surface.



Avishock™ Track

Brand new design - low-profile design ideal for preserving building integrity.

Fewer energizers (and power sources) are required, making installation very fast and reducing materials cost. 360° flexible track is quick and easy to apply. Less glue is required, saving time and glue expense. Copper strips are covered by a conductive plastic cover, protecting them from harsh weather conditions. Reliable performance over a long period of time due to UV and weather-resistant materials.

Favored by clients, architects, and installers over other solutions, used extensively on heritage sites and challenging building designs as well as modern buildings where aesthetics are most important.

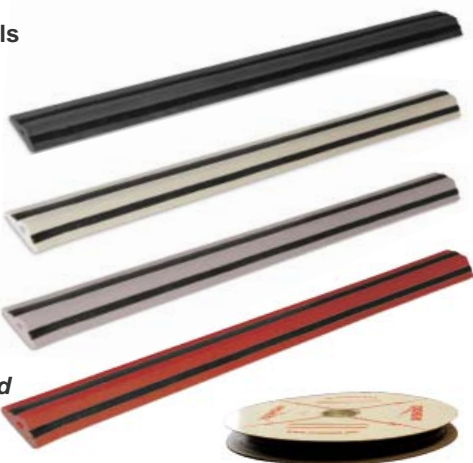
65 ft. Rolls

Black
SHK102

Stone
SHK101

Grey
SHK105

Brick Red
SHK106



Avishock™ Energizers

Easily installed, plugs directly into a power socket. Sends a pulse of electricity down the track every 1.3 seconds. A quiet click and small flashing light indicate the pulse. Units measure 7.5"L x 3.35"W x 1.97"H. Input voltage 240V AC, max output voltage 7.5KV DC.

Small Energizer, Red & Black

Covers 820 ft.

110v: SHK040-110

220v: SHK040

Large Energizer, Silver & Black

Covers 1,640 ft.

110v: SHK120-110

220v: SHK120



Straight Connector (x20)

SHK121



Corner Connector (x20)

SHK122



Jumper (x20)

SHK123



Female Spade Connectors (x100)

SHK023-100



Male Spade Connectors (x100)

SHK029-100



Connector Ring Terminal (x10)

SHK024



Also available:

Bird Shock® Flex-Track™

- Braided stainless conduction
- Multiple colors



Bird Shock Track Continued

Special Adhesive

Can be used to adhere Shock Track to a variety of surfaces.

Weatherproof; works on a wide range of material.

10.5 oz. tube

SSA



Digital Voltage Tester

Used to test that the track is powered. Tester reads in 100v increments up to 10,000. Put one probe to one track braid and the other to the second track braid. The reading should be between 5,000v and 9,000v (5.0 - 9.0kV)



SHK051

Warning Plates (x25)

Hard-wearing plastic

SHK032



Warning Window Stickers (x100)

SHK033



Lead Wire (65')

Heavily insulated, twisted copper is easy to cut, strip and crimp. Used for connecting track to track to energizer.



Brown: SHK111

Black: SHK112

12vDC Solar Charger (max 300')

Up to 300 ft. of track

Solar-powered charger with weather resistant case.

Input voltage: 4 Vdc

Output voltage (max): 8kV +/- 20%

Output Pulse Width at 500 Ohms: 50uS

Output at 100 Ohms: 3.5A

BIRD-SHOCK-CS00



Wire Guides screw on (x100)

SHK031



Wire Guides stick-on (x50)

SHK034



12vDC Solar Charger

Input voltage: 12Vdc

Output voltage (max): 8.6kV +/- 10%

Output Pulse Width at 500 Ohms: 25uS

MAX 500' up to 500 ft. of track

Output at 100 Ohms: 4.0kV, 0.14J

BIRD-SHOCK-CS30



MAX 1,000' up to 1,000 ft. of track

Output at 100 Ohms: 5.4kV, 0.133J

BIRD-SHOCK-CS20

Avishock™ Shears

Ideal for cutting Avishock™ track and lead wire.

SHK136



Connector Crimp Tool

Used to crimp the connectors to the Lead Wire.

SHK052



Wire Stripping Tool

Used to strip the insulation from the Lead Wire.

SHK053



Drainage Tubes (100 pack)

To be used anywhere where water pooling is a risk, e.g. flat or gently sloping substrates. Apply enough tubes to allow drainage e.g. 2 tubes every 1 ft.

SHK130



Avishock™ 45° Cutting Guide

A handy tool to ensure quick and accurate mitre cutting. Simply line up against the track and cut along the edge.

SHK054



Bird Wire & Post Products

Bird Wire Cable

Stainless steel wire, 1X7 nylon-coated. Diameter is .7mm

250'
BW-WIRE-250

500'
BW-WIRE

1,000'
BW-WIRE-1K



Glue-On Bases (10 pack)

Bases can be glued or screwed to surfaces. Posts are inserted in bases.

Black
BW-BASE-BLACK



Grey
BW-BASE-GREY



White/Clear
BW-BASE-WHITE



Tan
BW-BASE-TAN



Standard Springs (100 pack)

Easily attach Bird Wire to posts.

BW-SPRING



Micro Springs (100 pack)

Easily attach Bird Wire to posts (more subtle than the standard size).

BW-SPRING-M



Crimps (100 pack)

Attach Bird Wire to posts by threading it through crimps.

BW-CRIMP



Bird Wire is a discreet, humane, and highly-effective bird control solution for ledges, beams, signs and other long surfaces. Stainless steel wires are attached to stainless steel posts at different heights, creating an uneven landing surface and making it difficult – if not impossible – for birds to perch on the treated surface.

Posts (100 pack)

Stainless steel posts have flattened heads with hole for wire.

3.5"
BW-POST-3.5

4.5"
BW-POST-4.5

5.0"
BW-POST-5.0

6.0"
BW-POST-6.0



Railing Clamps (10 pack)

Use to attach wire to round surfaces, such as pipes and posts.

1"
BW-CLAMP-1

2"
BW-CLAMP-2

3"
BW-CLAMP-3

4"
BW-CLAMP-4



Triangular Ridge Bracket

Runs birdwire along roof ridges. Flexible base fits any angle or roof fridge. 3.5" post.
BW-BRACKET-TRI



Vertical Post & Wire Clamp

Stainless steel clamp used to install birdwire post to gutter bead, metal roof, or other vertical surfaces.
3.5" x 0.16"
BW-CLAMP-V



Horizontal Post & Wire Clamp

Stainless steel clamp used to install bird wire post to an I-beam or other horizontal steel surface.
3.5" x 0.16"
BW-CLAMP-H



More Bird Repellent Products

Bird Proof Gel

Surface repellent gel; tacky substance keeps birds off surfaces.

12 tubes per case

BP-CART



Terror Eyes

Visual scare; menacing 3D balloon repels pest birds. Large eyes are made from holographic material.

TERROR-EYES



4 The Birds: Repellent Liquid

Transparent, sticky liquid makes surfaces tacky and uncomfortable to birds.

Gallon

BP-LIQ-1



3D Coyote

Visual scare; coyote predator replica deters birds in large outdoor areas.

COYOTE-3D



Bird Stop

Taste aversion, liquid bird deterrent with a smell and taste that birds avoid.

Gallon

BS-GAL



Irri-Tape

Visual scare; holographic, iridescent diffraction foil drives birds away.

100 ft. roll

TAPE-100

500 ft. roll

TAPE-500



Safety Solvent Cleaner

Safely cleans and removes Bird Proof Liquid and/or Gel from surfaces.

Gallon

BPS-GAL



Prowler Owl

Visual scare; realistic replica of the most feared aerial predator. Wings move and flap in the wind.

OWL



Bird Proof / Adhesive Gun

Apply Special Adhesive or Bird Proof Gel with ease.

BP-CG



Daddi Long Legs

Flexible steel rods move in the wind, irritating birds as they try to land on surfaces.

4'

DDL4

6'

DDL6

8'

DDL8



Bird-X, Inc.
300 N Oakley Blvd.
Chicago, IL 60612
USA



Bird-X works closely with professional installers and PCO's on projects of all sizes. We understand the urgent and competitive nature of the industry, and we're here to help.

From initial bidding support to product training and custom consultations, your dedicated account manager will take care of you promptly with expert advice and information.

Please contact us and let us know what you need.

1.800.662.5021 • 312.226.2473 • www.bird-x.com